

SINKS
SINKS
SINKS
SINKS

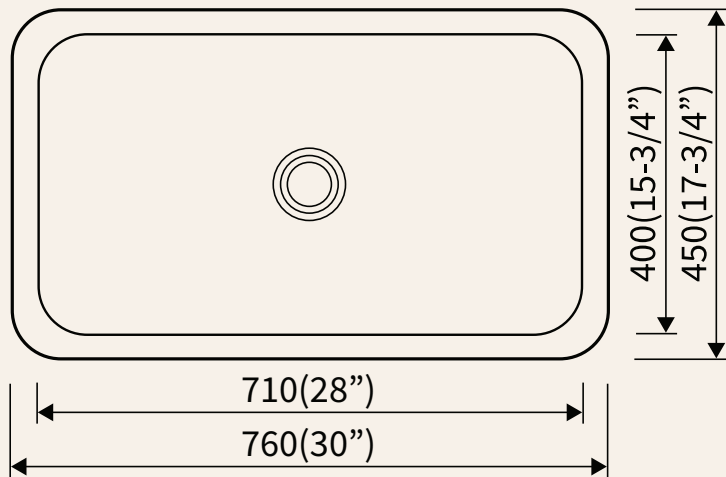
INSINO

Premium sinks

Model
No.

SBP.M.001

INSINO



Installation Type:	Undermount
Material:	SUS 304
Finish:	Brushed
Gauge:	18
Sound Deadening:	Full spray sides and bottom with Bottom and four side pads
Number of bowls:	1
Sink Dimensions:	30 x 17-3/4 x 9"
Bowl 1 Dimensions:	28 x 15-3/4 x 9"
Drain Size:	3-1/2"
Drain Location:	Center
Minimum Cabinet Size:	33"
Mounting Hardware:	Undermount brackets
Cutout Template:	Available



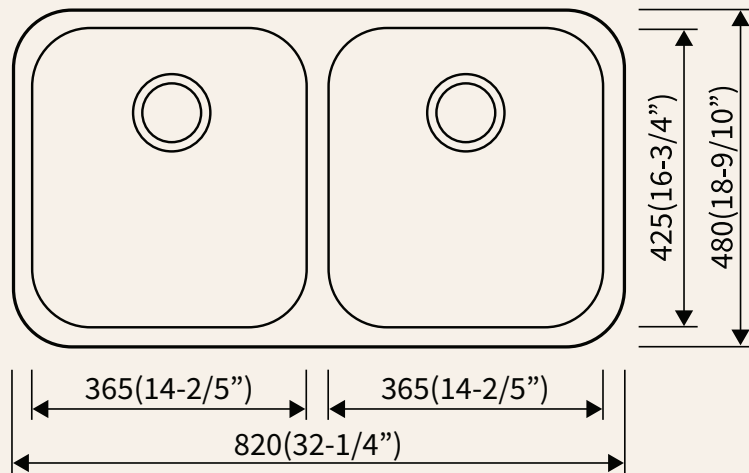
Products are in compliance with the following standard(s):
ASME A112.19.-2008/CSA B45.4-08(R2013) including Update No. 2 dated March 2011



Model
No.

SBP.M.004

INSINO



Installation Type:	Undermount
Material:	SUS 304
Finish:	Brushed
Gauge:	18
Sound Deadening:	Full spray sides and bottom with Bottom and four side pads
Number of bowls:	2
Sink Dimensions:	32-1/4 x 18-7/8 x 9"
Bowl 1 Dimensions:	14-3/8 x 16-3/4 x 9"
Bowl 2 Dimensions:	14-3/8 x 16-3/4 x 9"
Drain Size:	3-1/2"
Drain Location:	Rear
Minimum Cabinet Size:	33"
Mounting Hardware:	Undermount brackets
Cutout Template:	Available



Products are in compliance with the following standard(s):
ASME A112.19.-2008/CSA B45.4-08(R2013) including Update No. 2 dated March 2011

